

# JETINOX

## STAINLESS STEEL SELF-PRIMING PUMPS

Self-priming, high intake capacity

The self-priming pumps in the JETINOX range combine the advantages and practical features of centrifugal pumps with the functionality of self-priming pumps, as well as quality performance. The Venturi pipe system on these pumps guarantees optimal hydraulic performance and impressive suction capacity, maintaining priming even in the presence of air or gas bubbles trapped in the water.

### MOTOR

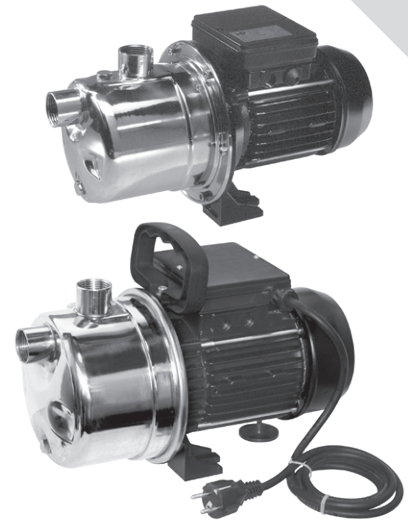
- Closed, ventilated from exterior.
- Protection rating IP 44.
- Insulation class F.
- Single phase power supply with permanently activated capacitor.
- Thermal cutout protection incorporated in motor winding.
- Rotation speed 2850 rpm.
- Continuous duty.

### APPLICATIONS

- Lifting and distribution of water in domestic systems, with continuous or intermittent duty.
- Pressure booster systems.
- Washing, irrigation of vegetable gardens, supply to fountains, transfers.
- Lifting from wells or cisterns.

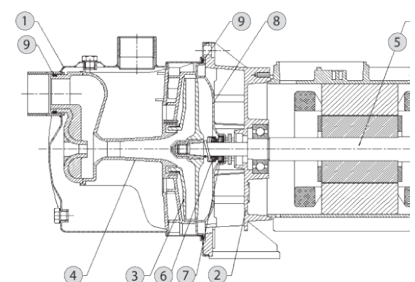
### USAGE DATA

- Type of liquid: clean water without suspended solid bodies or abrasive material.
- Maximum liquid temperature: 50°C.
- Maximum recommended suction height: 8 m with foot valve.
- Maximum operating pressure: 6 bar.



## TABLE OF MATERIALS

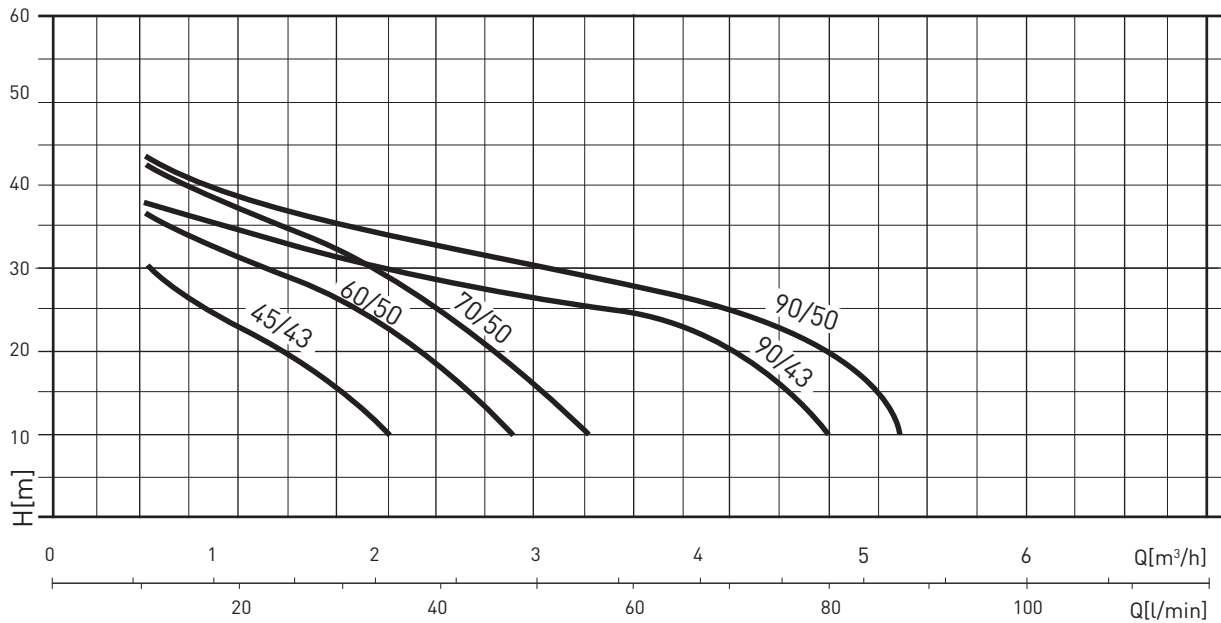
Component		Material
1	Pump body	Stainless steel X5 CrNi 1810 (AISI 304)
2	Motor casing	Die-cast aluminium
3	Impeller	Technopolymer with stainless steel shim ring
4	Diffuser monobloc group Venturi tube-nozzle	Technopolymer
5	Shaft	Stainless steel X 12 CrNiS 1809 (AISI 416)
6	Mechanical seal	Graphite
7	Counterface	Ceramic
8	Seal holder plate	Technopolymer (series 45-60-70) Stainless steel X5 CrNi 1810 (AISI 304 ) series 90
9	Gaskets	NBR 70 Shore



# JETINOX

## STAINLESS STEEL SELF-PRIMING PUMPS

### HYDRAULIC PERFORMANCE



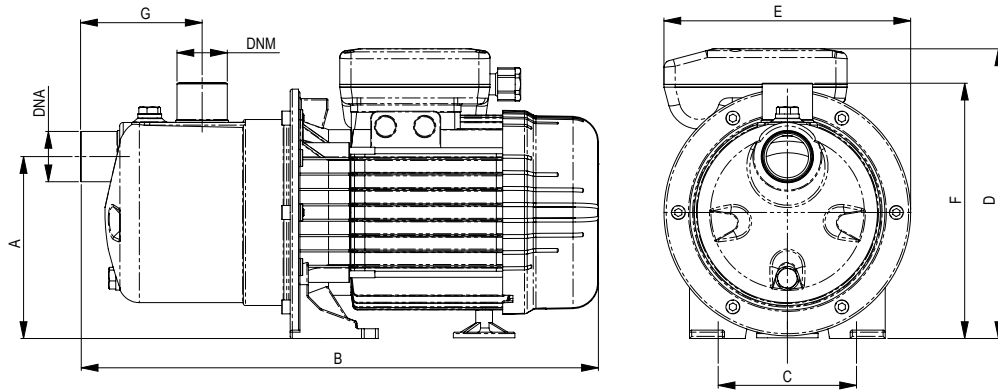
### PERFORMANCE TABLE

MODEL	Motor power (P2)		Motor power (P1)		VOLT. (V)	I <sub>n</sub> (A)	μF	Q	m.c.w.										
	HP	kW	HP	kW					l/min	0	10	20	30	40	50	60	70	80	
									m³/h	0	0,6	1,2	1,8	2,4	3	3,6	4,2	4,8	
JETINOX 45/43 M	0,5	0,37	0,8	0,6	1~230	3	8		43	30	23	16	1						
JETINOX 60/50 M	0,75	0,55	1,1	0,8	1~230	4	12,5		46	36	31	26	18	6					
JETINOX 70/50 M	0,95	0,7	1,36	1,0	1~230	4,5	16		48	42,5	37,5	32	25	16,5	7				
JETINOX 90/43 M	1,0	0,75	1,8	1,3	1~230	6,5	20		43	38	34	32	29	27	25	21	10		
JETINOX 90/50 M	1,2	0,9	2	1,5	1~230	7	25		50	42	39	37	33	30	27	25	20		
JETINOX 60/50 C*	0,75	0,55	1,10	0,8	1~230	4	12,5		46	36	31	26	18	6					
JETINOX 70/50 C*	0,95	0,7	1,36	1,0	1~230	4,5	16		48	42,5	37,5	32	25	16,5	7				
JETINOX 90/43 C*	1,0	0,75	1,80	1,3	1~230	6,5	20		43	38	34	32	29	27	25	21	10		
JETINOX 90/50 C*	1,2	0,9	2	1,5	1~230	7	25		50	42	39	37	33	30	27	25	20		

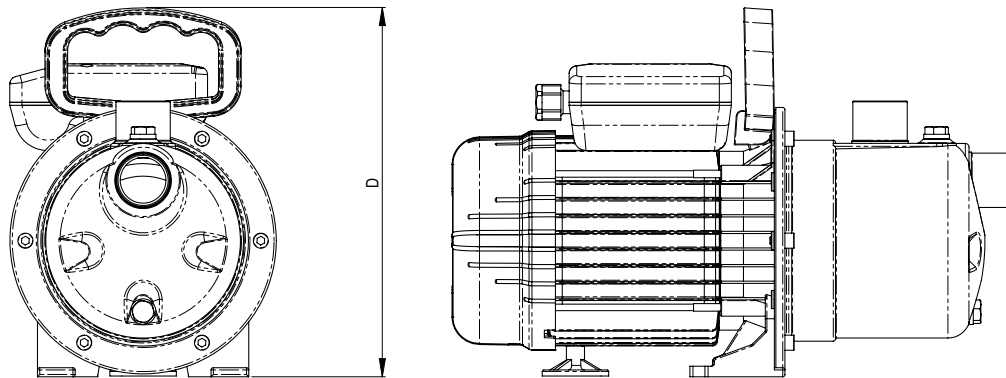
# JETINOX

## STAINLESS STEEL SELF-PRIMING PUMPS

### OVERALL DIMENSIONS AND WEIGHTS



VERSION C



### OVERALL DIMENSIONS AND WEIGHTS

MODEL	Dimensions mm.									WEIGHT (Kg)
	A	B	C	D	E	F	G	DNA	DNM	
JETINOX 45/43	130	352	100	199	177	185	87	1" F	1" F	4,7
JETINOX 60/50	130	370	100	207	177	185	87	1" F	1" F	8,2
JETINOX 60/50 C*	130	370	100	245	177	185	87	1" F	1" F	8,2
JETINOX 70/50	143	351	100	207	177	200	76	1" F	1" F	9,5
JETINOX 70/50 C*	143	351	100	245	177	200	76	1" F	1" F	9,5
JETINOX 90/43	158	395	141	207	205	214	98	1" 1/4 M	1" F	11
JETINOX 90/43 C*	158	395	141	275	205	214	98	1" 1/4 M	1" F	11
JETINOX 90/50	158	425	141	230	218	214	98	1" 1/4 M	1" F	13
JETINOX 90/50 C*	158	425	141	275	218	214	98	1" 1/4 M	1" F	13