

**ROTAIR**

TECHNICAL  
DATA SHEET



# MDVN 80 Y

supersilent >

powerful > compact

**PORTABLE  
COMPRESSORS**



CONSTRUCTIONS  
BUILDING SITES  
and much more...



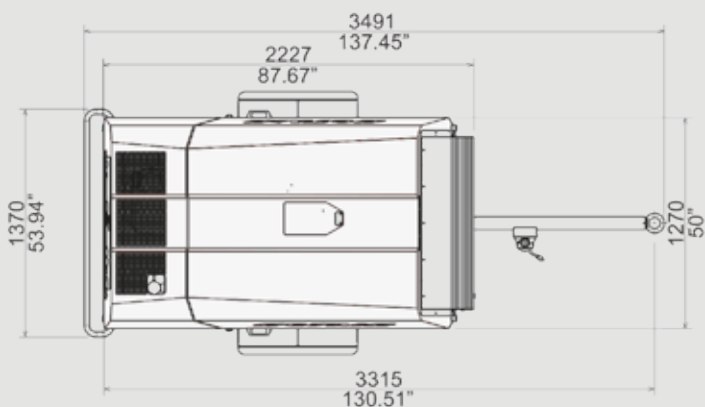
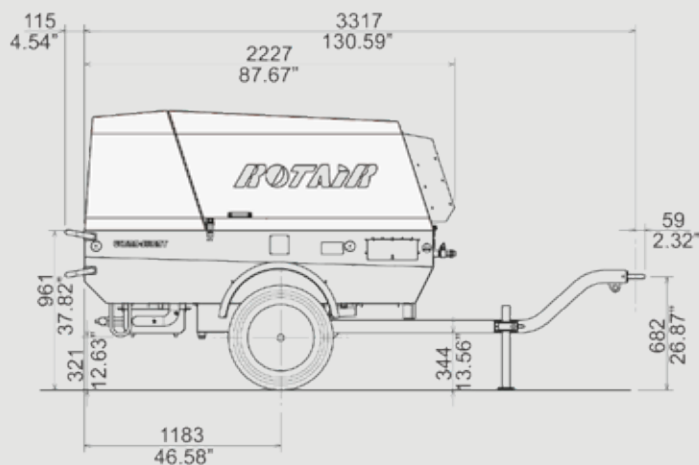
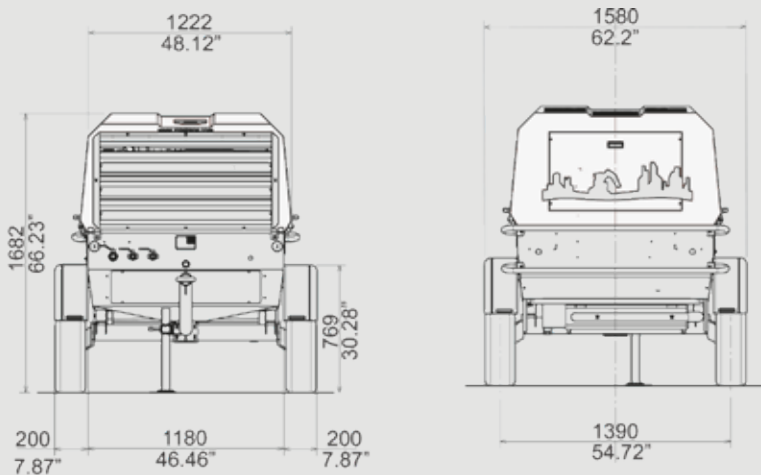
- › Design with modern, slender and aggressive line
- › Electro-galvanized bodywork and chassis with advanced painting procedure to grant an excellent preservation through time
- › Compact dimensions for easy handling and optimum dimensions / delivered power ratio
- › Light weight
- › Filters "spin-on" type for quick maintenance
- › Full accessibility for easy and rapid maintenance and service

#### OPTIONS AND ACCESSORIES:

- › Drawbar with/without brakes
- › Caravan-type ball connection
- › Skid version
- › Clog indicator for engine air filter
- › Fuel indicator
- › Sandblasting kit (cooler for compressed air cooling and dew separator)
- › Line oiler for pneumatic tools
- › Warming for compressed air
- › Exclusive Rotair "Fuel Saving System" (saving up to 20% of fuel)



supersilent ›  
**MDVN**  
**80 Y**



- › Exclusive pneumatic control system, developed by ROTAIR, to adjust automatically engine revs, depending on the air to be delivered. This system is highly reliable and ensures fuel consumption saving.
- › Start/stop "INTELLIGENT SYSTEM", exclusive from ROTAIR, to prevent the risk of incorrect procedures during specific functioning.
- › Air/oil separator filter, highly oversized, can guarantee an excellent air/oil separation.
- › The air and oil filters of the compressor and the air and oil filters of the engine are independent.
- › Two stages oversized air filter for compressor part, to guarantee good filtering of the air intake by airend.
- › Two-stage air filter for engine part.
- › Combined radiator allowing both compressor oil cooling and engine liquid cooling.



**THE RESPECT OF ORDINARY MAINTENANCE INTERVALS AND THE USE OF GENUINE SPARE PARTS ENSURE CONSTANT AND OPTIMAL PERFORMANCES AND RELIABLE DURABILITY THROUGH TIME.**

# Technical Data

weight (without brakes) >

1240 kg  
2734 lbs

## COMPRESSOR

(\*)= Possibility to have also other operating pressures up to 14/15 bar and Dual Pressure

Operating pressure (*)	7 bar 102 psi	10 bar 145 psi	12 bar 174 psi
Free air delivery	7800 l/min 275 cfm	6800 l/min 240 cfm	4900 l/min 173 cfm
Minimum working pressure	5,5 bar - 80 psi		
Drive system engine-airend	Direct Drive		
Compressor cooling system	Air / Oil		
Outlet valves	2 x 3/4" + 1 x 1"		
Battery capacity	12V cc - 750A-100Ah (EN)		
Fuel tank capacity	92 lt - 20.24 UK gal		
Consumes	8,9 lt/h - 1.96 UK gal/h (10,3 working h.)		

## DIESEL ENGINE

Engine make	YANMAR
Engine type	4TNV 98-hsap
Engine system	4 strokes - Inline - Direct Injection
Emissions	Stage II / Tier 2
Displacement	3519 cc
N. cylinders	4
Aspiration	Natural
Max engine power @2500 RPM	50,7 kW - 68.9 HP
Max engine speed	2500 RPM
Min engine speed	1500 RPM
Cooling system	Water
Cooling system capacity	12 lt - 2.64 UK gal
Lubrication system	Oil

## ENVIRONMENTAL CONDITIONS - (Standard Version\*)

Max ambient temperature	50°C - 122°F
Max altitude	1800 m a.s.l.
Min working temperature	-10°C / 14°F

powerful > compact

## PORTABLE COMPRESSORS



\*For versions with different operating pressures or for requests of machines to be used under particular ambient temperature conditions, data have to be previously asked to our technical dept.



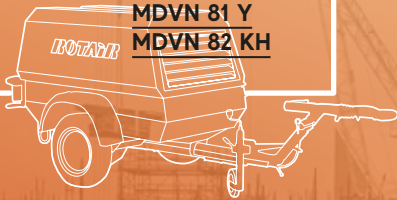
powerful > compact

## PORTABLE COMPRESSORS

IN THE  
SAME  
RANGE

MDVN 22 K  
MDVN 26 K  
MDVN 31 K / P  
MDVN 37 K / P  
MDVN 46 K / P  
MDVN 46-Eco5  
MDVN 53 K / P  
MDVN 53-Eco5  
MDVN 54 Y  
MDVN 72 Y  
MDVN 80 Y  
MDVN 81 Y  
MDVN 82 KH

MDVN 80Y | 07.2021-Rev.01



**ROTAIR** TECHNOLOGY AND  
ENGINEERING SOLUTIONS

Via Bernezzo, 67 - 12023 Caraglio (Cn) - ITALY  
Tel: +39 0171.619676 / Fax: +39 0171.619677  
[www.rotairspa.com](http://www.rotairspa.com) | [info@rotairspa.com](mailto:info@rotairspa.com)



Azienda  
certificata  
ISO  
9001:2008

