

2 SURFACE FINISH SYMBOLS

SYMBOL	ROUGHNESS	VALUE Ra	SYMBOL	ROUGHNESS	VALUE Ra
N1	>4.00	0.25	N1	>4.00	0.25
N2		0.05	N2		0.05
N3		0.1	N3		0.1
N4		0.2	N4		0.2
N5		0.4	N5		0.4
N6		0.8	N6		0.8
N7		1.6	N7		1.6
N8		3.2	N8		3.2
N9		6.3	N9		6.3
N10		12.5	N10		12.5
N11		25	N11		25
N12		50	N12		50

S.NO	DESCRIPTION	QTY
1	ELECTRIC MOTOR	1
2	AIR END	1
3	AIR FILTER	1
4	INTAKE VALVE	1
5	DRIVE COUPLING	1
6	AIR OIL SEPARATOR TANK	1
7	SEPARATOR ELEMENT	1
8	SAFETY VALVE	1
9	MINIMUM PRESSURE VALVE	1
10	COOLING FAN (11-15KW)	2
11	OIL AND AFTER COOLER	1
12	OIL FILTER	1
13	VARIABLE FREQUENCY DRIVE #	1
14	PLC & CONTROL PANEL ASSY (BEHIND THE DOOR)	1
15	MOISTURE SEPARATOR WITH ADV	1
16	DRYER *	1

CENTRE OF GRAVITY DETAILS			
S.NO	X	Y	Z
1	713	663	327

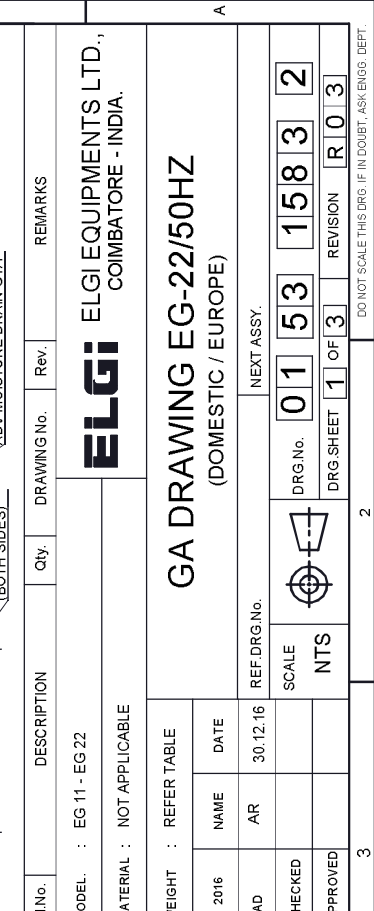
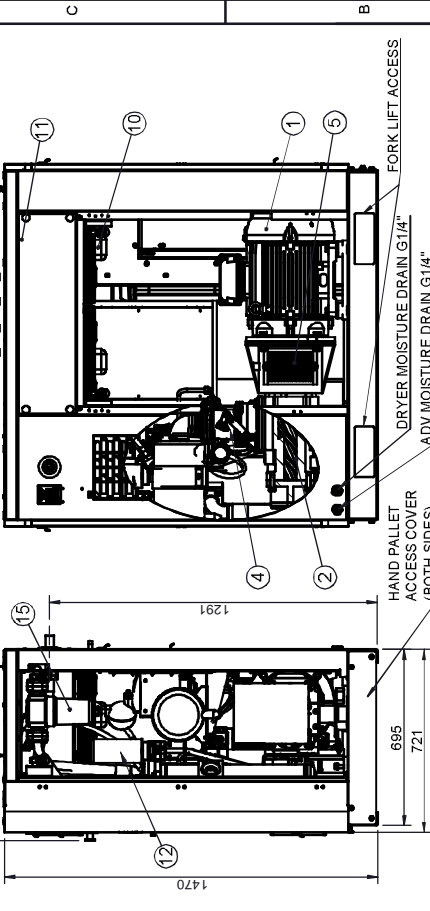
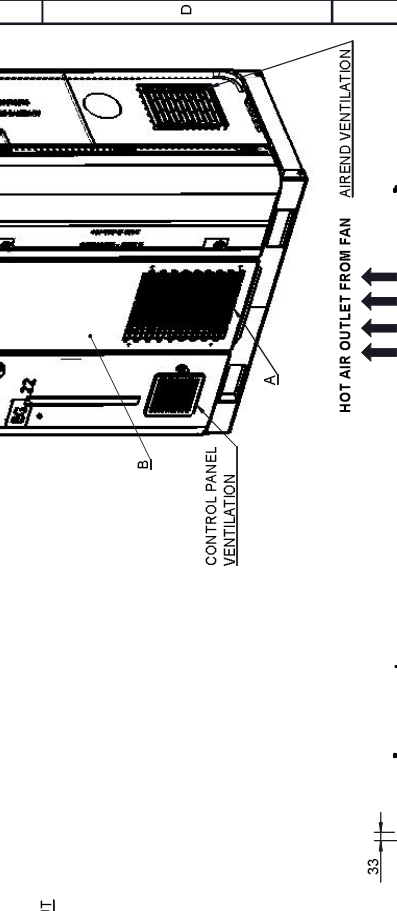
MACHINING DEVIATION FOR OPEN DIMS (S 2102 (Medium))			
UP TO & INCL	30	120	315
TOLERANCE	+0.1	+0.2	+0.3
OVER	-	0.30	0.120

Dg. No. 012392230			
For unspecified Tolerances, Refer			
UP TO & INCL	6	30	120
TOLERANCE	+0.1	+0.2	+0.3

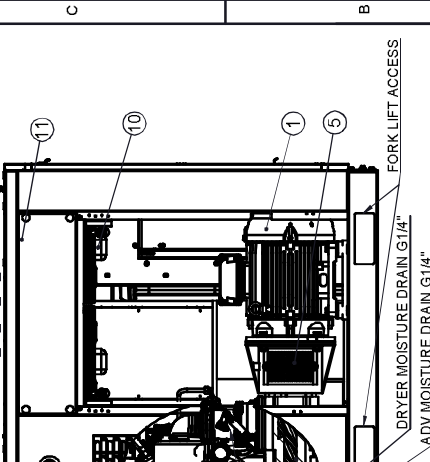
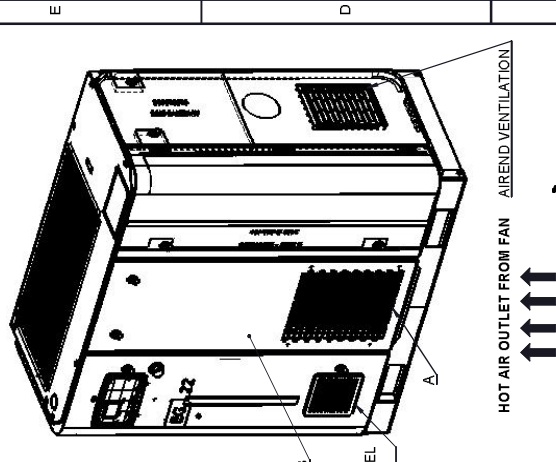
ALL DIMENSIONS ARE IN mm UNLESS OTHERWISE SPECIFIED.			
and the property of ELGI EQUIPMENTS LIMITED			
Reproduction of these in any form should only be done with the specific permission of the company.			
REV. NO.	ECO. No.	DATE	DESCRIPTION
6			
5			
4			
3			
2			

PACKAGE WEIGHT (kg)			
MODEL	CV	CD	CDV
EG 11	550	590	640
EG 15	570	630	710
EG 18	640	670	750
EG 22	650	675	720

NOTES:
 1. ALL DIMENSIONS AND WEIGHTS ARE FOR REFERENCE ONLY.
 2. COOLING AIR FLOW REQUIRED FOR THE PACKAGE IS 7000 cu.m / hr
 3. MINIMUM DISTANCE REQUIRED AROUND THE COMPRESSOR IS 1m ON ALL SIDES AND 2m ON TOP (INSTALLATION REQUIREMENT)
 4. # - VFD AVAILABLE IN CV AND CDV VERSION ONLY
 5. * - DRYER AVAILABLE IN CD AND CDV VERSIONS ONLY
 6. A. VENTILATION WINDOW IS ONLY FOR DRYER MODELS (CD, CDV). FOR NON DRYER MODEL (C, CV) DOOR WILL BE WITHOUT VENTILATION WINDOW.
 B. DRYER WILL BE PLACED BEHIND THIS DOOR FOR CD & CDV VERSIONS.



⚠ - CRITICAL CHARACTERISTIC (SAFETY/REGULATORY)
 ⚠ - SIGNIFICANT CHARACTERISTIC (FIT/FORM/FUNCTION/FINISH)



SINO.	DESCRIPTION	Qty.	DRAWING No.	Rev.	REMARKS
MODEL : EG 11 - EG 22					
MATERIAL : NOT APPLICABLE					
WEIGHT : REFER TABLE					
2016	NAME	DATE	NEXT ASSY.		
CAD	AR	30.12.16	REF.DRG.No.		
CHECKED			SCALE	NTS	
APPROVED			DRG.No.	0153	1583
			DRG.SHEET	1	OF 3
			REVISION	R	03

ELGI ELGI EQUIPMENTS LTD.,
COIMBATORE - INDIA.

GA DRAWING EG-22/50HZ
(DOMESTIC / EUROPE)

DO NOT SCALE THIS DRG. IF IN DOUBT, ASK ENGG. DEPT.

P & I DIAGRAM

ALL DIMENSIONS ARE IN mm UNLESS OTHERWISE SPECIFIED.

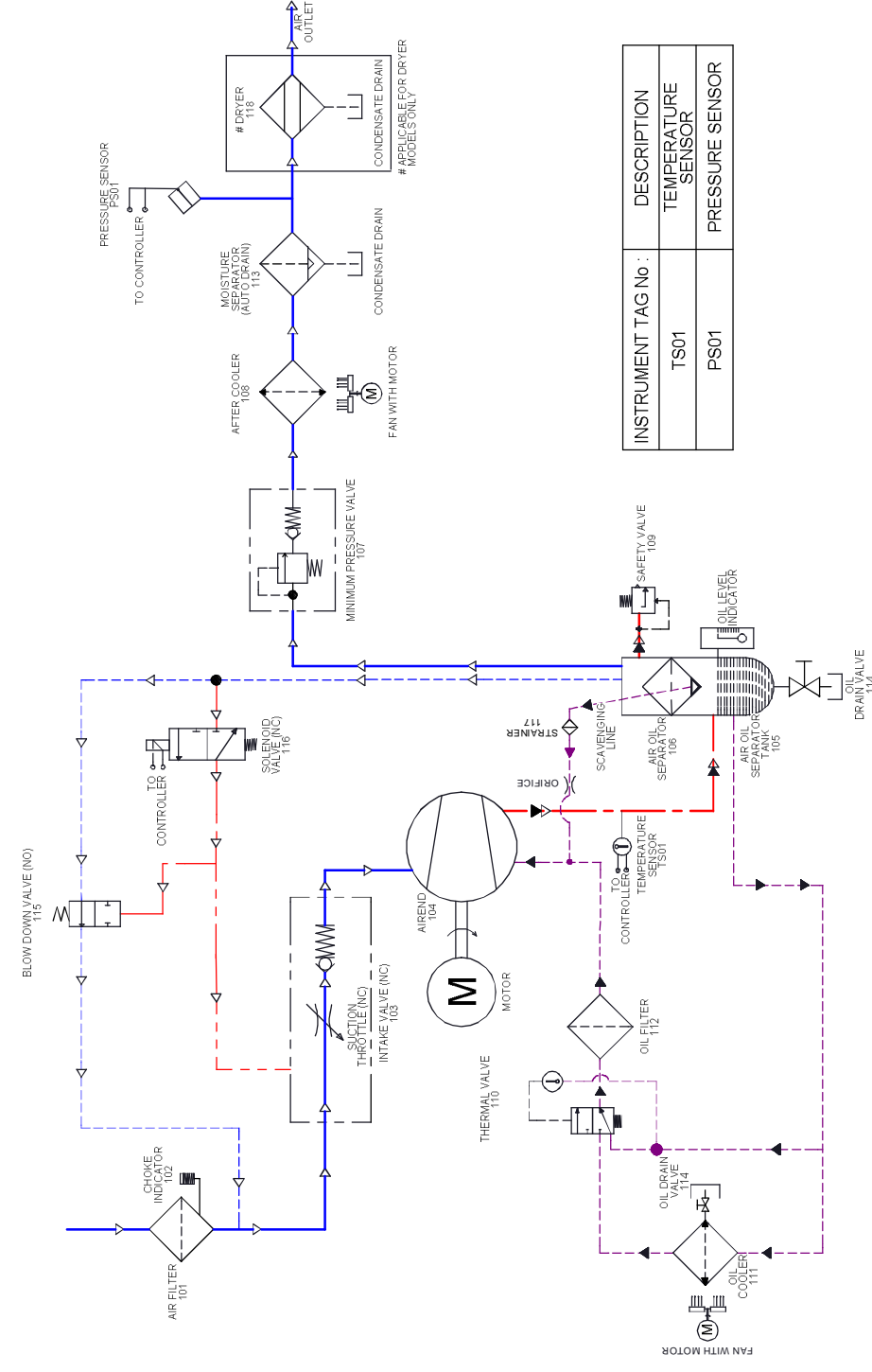
For unspecified tolerances, Refer Drg. No. 012392230

UP TO & INCL.	TOLERANCE
0 - 6	+0.1
6 - 30	+0.2
30 - 120	+0.3
120 - 315	+0.5
315 - 1000	+0.8
1000 - 2000	+1.2
2000 - 4000	+2.0
>4000	+3.0

MACHINING DEVIATION FOR OPEN DIMS IS 2102 (Medium)

ROUGHNESS	SYMBOL	VALUE Ra
N1		0.025
N2		0.05
N3		0.1
N4		0.2
N5		0.4
N6		0.8
N7		1.6
N8		3.2
N9		6.3
N10		12.5
N11		25
N12		50

SURFACE FINISH SYMBOLS



INSTRUMENT TAG No :	DESCRIPTION
TS01	TEMPERATURE SENSOR
PS01	PRESSURE SENSOR

S.NO	SYMBOL	PART NAME
101		AIR FILTER
102		CHOKE INDICATOR
103		INTAKE VALVE (NC)
104		AIREND
105		AIR OIL SEPARATOR TANK
106		AIR OIL SEPARATOR
107		MINIMUM PRESSURE VALVE
108		AFTER COOLER
109		SAFETY VALVE
110		THERMAL VALVE
111		OIL COOLER
112		OIL FILTER
113		MOISTURE SEPARATOR (AUTO DRAIN)
114		OIL DRAIN VALVE
115		BLOW DOWN VALVE (NO)
116		SOLENOID VALVE (NC)
117		STRAINER
118		DRYER

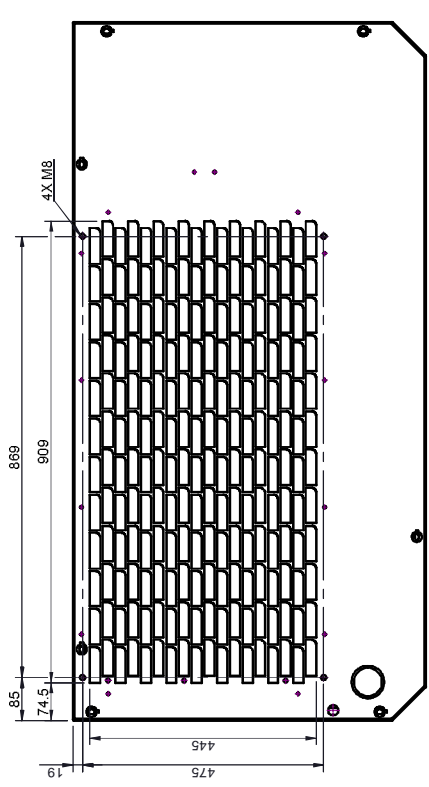
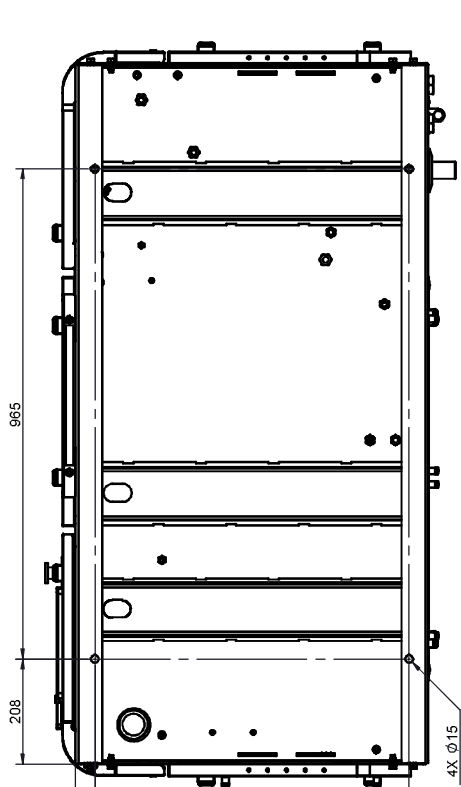
SINO.	DESCRIPTION	Qty.	DRAWING No.	Rev.	REMARKS
MODEL : EG 11 - EG 22					
MATERIAL : NOT APPLICABLE					
WEIGHT : REFER TABLE					
2013	NAME	DATE	REF DRG.No.		
CAD	AR	30.12.16	NEXT ASSY.		
CHECKED			SCALE	DRG.No	1583
APPROVED			NTS	DRG.SHEET	2 OF 3
				REVISION	R 0 3

REV. NO.	ECO.No.	DATE	DESCRIPTION	ALT. BY	CHKD. BY
6					

DO NOT SCALE THIS DRG. IF IN DOUBT, ASK ENGG. DEPT.

ELGI ELGI EQUIPMENTS LTD.,
COIMBATORE - INDIA.

GA DRAWING EG-22/50HZ
(DOMESTIC / EUROPE)

6	5	4	3	2	1																																																						
<p>ALL DIMENSIONS ARE IN mm UNLESS OTHERWISE SPECIFIED.</p> <p>Dr. No. 012392230</p> <p>For unspesified Tolerances, Refer</p> <table border="1" style="width:100%; border-collapse: collapse;"> <tr> <th>UNIT</th> <th>TOLERANCE</th> </tr> <tr> <td>OVER</td> <td>±0.1</td> </tr> <tr> <td>UP TO & INCL</td> <td>±0.2</td> </tr> <tr> <td>6</td> <td>±0.3</td> </tr> <tr> <td>30</td> <td>±0.4</td> </tr> <tr> <td>120</td> <td>±0.5</td> </tr> <tr> <td>315</td> <td>±0.8</td> </tr> <tr> <td>1000</td> <td>±1.2</td> </tr> <tr> <td>2000</td> <td>±1.5</td> </tr> <tr> <td>315</td> <td>±2.0</td> </tr> <tr> <td>1000</td> <td>±3.0</td> </tr> <tr> <td>2000</td> <td>±4.0</td> </tr> </table> <p>ROUGHNESS VALUE Ra μm</p> <table border="1" style="width:100%; border-collapse: collapse;"> <tr> <th>SYMBOL</th> <th>ROUGHNESS</th> </tr> <tr> <td>▽</td> <td>0.025</td> </tr> <tr> <td>▽▽</td> <td>0.05</td> </tr> <tr> <td>▽▽▽</td> <td>0.1</td> </tr> <tr> <td>▽▽▽▽</td> <td>0.2</td> </tr> <tr> <td>▽▽▽▽▽</td> <td>0.4</td> </tr> <tr> <td>▽▽▽▽▽▽</td> <td>0.8</td> </tr> <tr> <td>▽▽▽▽▽▽▽</td> <td>1.6</td> </tr> <tr> <td>▽▽▽▽▽▽▽▽</td> <td>3.2</td> </tr> <tr> <td>▽▽▽▽▽▽▽▽▽</td> <td>6.3</td> </tr> <tr> <td>▽▽▽▽▽▽▽▽▽▽</td> <td>12.5</td> </tr> <tr> <td>▽▽▽▽▽▽▽▽▽▽▽</td> <td>25</td> </tr> <tr> <td>▽▽▽▽▽▽▽▽▽▽▽▽</td> <td>50</td> </tr> </table> <p>ROUGHNESS SYMBOLS</p> <p>MACHINING DEVIATION FOR OPEN DIMMS IS 2102(Medium)</p> <p>Surface Finish Symbols</p>						UNIT	TOLERANCE	OVER	±0.1	UP TO & INCL	±0.2	6	±0.3	30	±0.4	120	±0.5	315	±0.8	1000	±1.2	2000	±1.5	315	±2.0	1000	±3.0	2000	±4.0	SYMBOL	ROUGHNESS	▽	0.025	▽▽	0.05	▽▽▽	0.1	▽▽▽▽	0.2	▽▽▽▽▽	0.4	▽▽▽▽▽▽	0.8	▽▽▽▽▽▽▽	1.6	▽▽▽▽▽▽▽▽	3.2	▽▽▽▽▽▽▽▽▽	6.3	▽▽▽▽▽▽▽▽▽▽	12.5	▽▽▽▽▽▽▽▽▽▽▽	25	▽▽▽▽▽▽▽▽▽▽▽▽	50				
UNIT	TOLERANCE																																																										
OVER	±0.1																																																										
UP TO & INCL	±0.2																																																										
6	±0.3																																																										
30	±0.4																																																										
120	±0.5																																																										
315	±0.8																																																										
1000	±1.2																																																										
2000	±1.5																																																										
315	±2.0																																																										
1000	±3.0																																																										
2000	±4.0																																																										
SYMBOL	ROUGHNESS																																																										
▽	0.025																																																										
▽▽	0.05																																																										
▽▽▽	0.1																																																										
▽▽▽▽	0.2																																																										
▽▽▽▽▽	0.4																																																										
▽▽▽▽▽▽	0.8																																																										
▽▽▽▽▽▽▽	1.6																																																										
▽▽▽▽▽▽▽▽	3.2																																																										
▽▽▽▽▽▽▽▽▽	6.3																																																										
▽▽▽▽▽▽▽▽▽▽	12.5																																																										
▽▽▽▽▽▽▽▽▽▽▽	25																																																										
▽▽▽▽▽▽▽▽▽▽▽▽	50																																																										
<p>DUCT MOUNTING DETAILS</p>  <p>PACKAGE MOUNTING DETAILS</p> 																																																											
<table border="1" style="width:100%; border-collapse: collapse;"> <tr> <th>S.No.</th> <th>DESCRIPTION</th> <th>Qty.</th> <th>DRAWING No.</th> <th>Rev.</th> <th>REMARKS</th> </tr> <tr> <td colspan="6">MODEL : EG 11 - EG 22</td> </tr> <tr> <td colspan="6">MATERIAL : NOT APPLICABLE</td> </tr> </table>						S.No.	DESCRIPTION	Qty.	DRAWING No.	Rev.	REMARKS	MODEL : EG 11 - EG 22						MATERIAL : NOT APPLICABLE																																									
S.No.	DESCRIPTION	Qty.	DRAWING No.	Rev.	REMARKS																																																						
MODEL : EG 11 - EG 22																																																											
MATERIAL : NOT APPLICABLE																																																											
<p>ELGI ELGI EQUIPMENTS LTD., COIMBATORE - INDIA.</p>																																																											
<p>GA DRAWING EG-22/50HZ (DOMESTIC / EUROPE)</p>																																																											
<table border="1" style="width:100%; border-collapse: collapse;"> <tr> <td colspan="2">WEIGHT : REFER TABLE</td> <td colspan="4">NEXT ASSY.</td> </tr> <tr> <td>2013</td> <td>NAME</td> <td>DATE</td> <td colspan="3"></td> </tr> <tr> <td>CAD</td> <td>AR</td> <td>30.12.16</td> <td colspan="3"></td> </tr> <tr> <td>CHECKED</td> <td></td> <td></td> <td>REF.DRG.No.</td> <td>SCALE</td> <td>DRG.No.</td> </tr> <tr> <td>APPROVED</td> <td></td> <td></td> <td>NTS</td> <td>01</td> <td>53</td> </tr> <tr> <td>CHKD. BY</td> <td>AL.T. BY</td> <td>DATE</td> <td>DESCRIPTION</td> <td>DRG.SHEET</td> <td>OF</td> </tr> <tr> <td></td> <td></td> <td></td> <td></td> <td>3</td> <td>3</td> </tr> <tr> <td>REV. NO.</td> <td>ECO.No.</td> <td>DATE</td> <td>DESCRIPTION</td> <td>REVISION</td> <td>R</td> </tr> <tr> <td></td> <td></td> <td></td> <td></td> <td>0</td> <td>3</td> </tr> </table>						WEIGHT : REFER TABLE		NEXT ASSY.				2013	NAME	DATE				CAD	AR	30.12.16				CHECKED			REF.DRG.No.	SCALE	DRG.No.	APPROVED			NTS	01	53	CHKD. BY	AL.T. BY	DATE	DESCRIPTION	DRG.SHEET	OF					3	3	REV. NO.	ECO.No.	DATE	DESCRIPTION	REVISION	R					0	3
WEIGHT : REFER TABLE		NEXT ASSY.																																																									
2013	NAME	DATE																																																									
CAD	AR	30.12.16																																																									
CHECKED			REF.DRG.No.	SCALE	DRG.No.																																																						
APPROVED			NTS	01	53																																																						
CHKD. BY	AL.T. BY	DATE	DESCRIPTION	DRG.SHEET	OF																																																						
				3	3																																																						
REV. NO.	ECO.No.	DATE	DESCRIPTION	REVISION	R																																																						
				0	3																																																						
<p>DO NOT SCALE THIS DRG. IF IN DOUBT, ASK ENGG. DEPT.</p>																																																											